

T-PANEL DE-SEAMER FIELD GUIDE

Part# 50963

9.14.23



Contact us at 1-888-343-0456 or online at www.diroofseamers.com

D.I. Roof Seamers
915 Highway 45
Corinth, MS 38834

****READ COMPLETELY BEFORE OPERATION OF MACHINE OR TOOLS****

Safety Regulations set forth by the Occupational Safety and Health Act, local, state, and/or federal agencies should always be adhered to.

IMPORTANT INFORMATION

- **Do not stand on the panels being removed.**
- This De-Seamer has been set up for your specific panel profile. Never use this machine on any other roof panel or profile. Do not attempt to alter or modify the machine in any way.
- Follow all safety suggestions and warnings in this guide as well as those posted on the machine itself.
- A reciprocating saw or a cutting hand tool, such as tin snips, must be used at any place the machine cannot reach, such as against a ridge cap, end cap, or at a pitch change in the roof.
- For additional information, visit www.diroofseamers.com

IMPORTANT

Required extension cord size:

Distance (FT)	0-100	100-200	200-300
Wire Gauge (AWG)	10	8	6

SCAN OUR QR CODES FOR FURTHER INFORMATION



Operational Videos



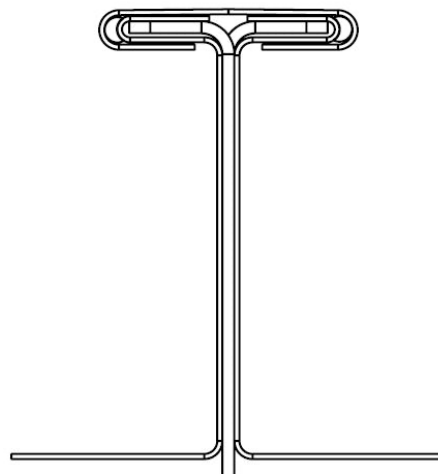
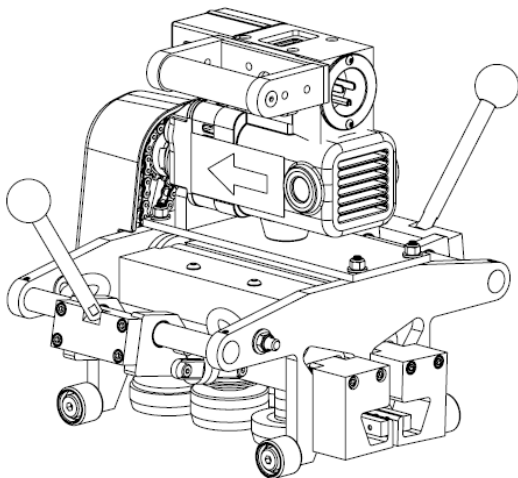
D.I. Roof Seamers App

This is a Bi-Directional T-Batten Roof Panel De-Seamer. Therefore, you may simply rotate the machine 180° and place it on the next panel and run the machine in the opposite direction. It is important to remember to use extreme caution when reaching the edge of the roof. Stop and disengage the locking handles of the machine while the wheels remain on the roof panel.

Do not run the de-seamer within 6” of the end of a panel without using extreme caution.

Your T-Batten Roof De-Seamer motor requires a 20 amp, 120 volt AC power supply. Poor performance and motor damage can result from the use of an improper power supply.

Note: Images used in this guide are for representation purposes only and may not be exact to your job.



STEP 1

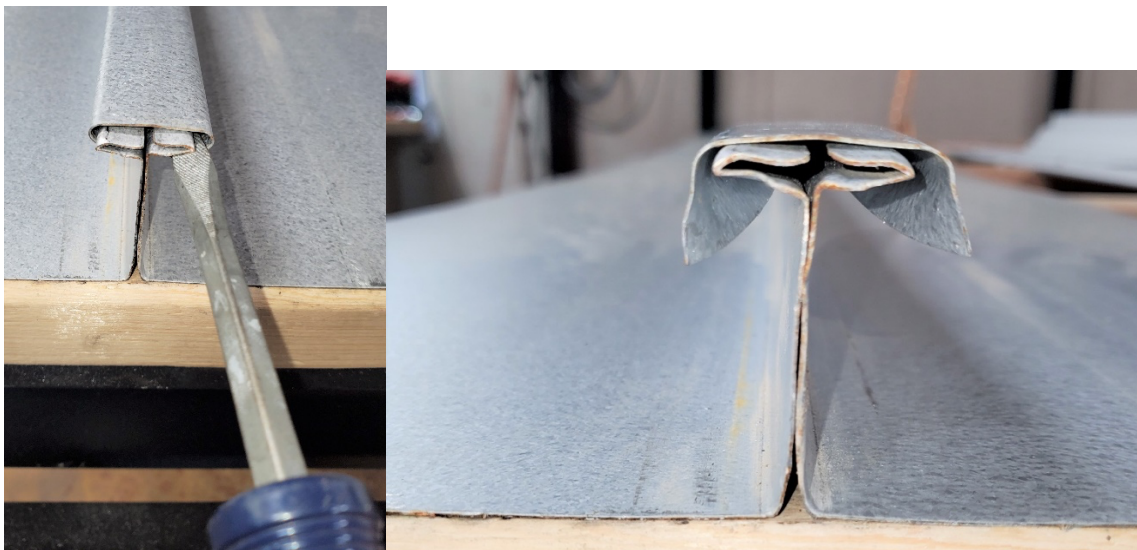
Before beginning, ensure that the panels are installed correctly and are free of all debris and contaminants such as sand, snow, excessive fluids, sealant/mastic, tools, extensions cords, etc. Keep a safety tether

attached to the seamer anytime it is on the roof to prevent it from falling off. Failure to do so could result in machine damage, serious injury, and/or death.

Note: The machines tether point is not intended to arrest the machine during a free fall from the roof.

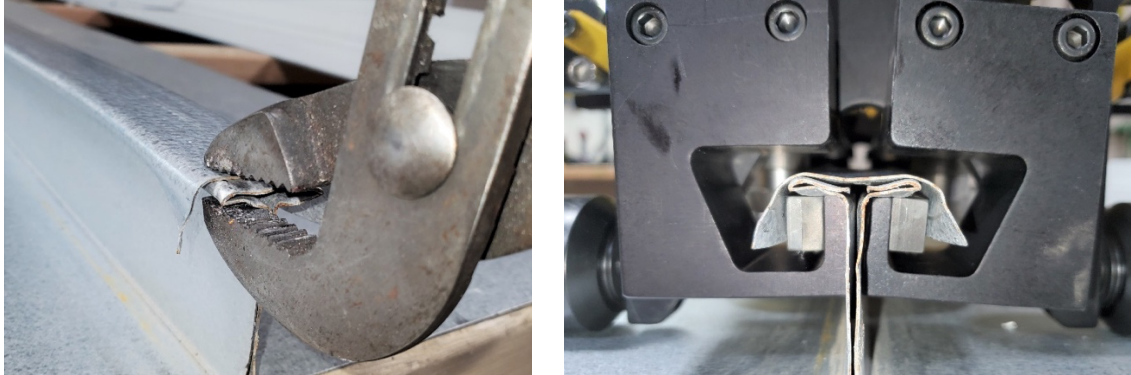
STEP 2

Using a “flat-head” screwdriver open the end of the cap on each side for 1-2”.



STEP 3

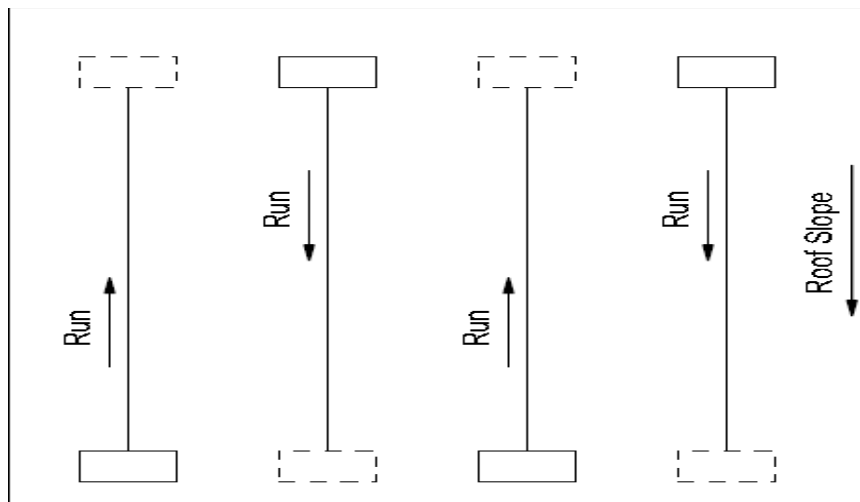
Collapse the hem of the panel to allow the de-seaming plows to engage underneath as shown below.



STEP 4

Connect the power supply into the quick-release plug near the handle of the machine and turn the machine on. Run the De-Seamer approximately 12" to ensure that you are receiving the desired operation. If there are any issues, stop immediately and **contact D.I. Technical Support at 1-888-343-0456.**

Note: This is a BI-DIRECTIONAL machine. Therefore, you may simply rotate the machine 180° and place it on the next panel and run the machine in the opposite direction.



MAINTENANCE REQUIREMENTS

- This machine requires daily cleaning. Additional cleaning may be required based on job site conditions. It is imperative that tooling is kept clean and free of debris.
- When not in use, always store your roof seamer in a dry place to prevent damage to the machine. **NEVER** operate it in inclement weather, such as rain, thunder, lightning, or snow.
- Each day that the seamer is to be used, ensure tooling bolts are tight to 25 ft-lbs. before the beginning of any seaming.
- If you need D.I. Technical Support, please **contact us at 1-888-343-0456.**

